

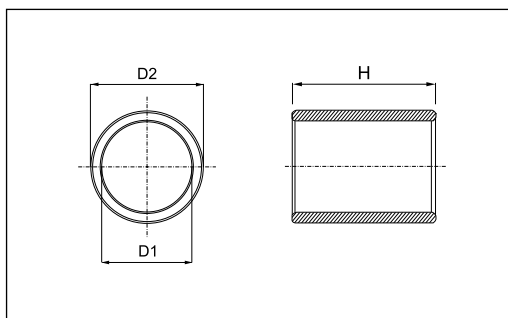
## Спеченная бронза

Метрические размеры

Цилиндрические втулки

Артикул изделия:

SBronze	P	04	07	07
	Форма	D1	D2	H
Материал				



Артикул изделия	D1	D2	H
SBronze P 040707	04	07	07
SBronze P 040708			08
SBronze P 040804	04	08	04
SBronze P 040808			08
SBronze P 040810			10
SBronze P 040812			12
SBronze P 041010	04	10	10
SBronze P 050905	05	09	05
SBronze P 050909			09
SBronze P 050911			11
SBronze P 051005	05	10	05
SBronze P 051010			10
SBronze P 051014			14
SBronze P 060808	06	08	08
SBronze P 061006	06	10	06
SBronze P 061008			08
SBronze P 061010			10
SBronze P 061012			12
SBronze P 061014			14
SBronze P 061015			15
SBronze P 061206	06	12	06
SBronze P 061212			12
SBronze P 061215			15
SBronze P 061225			25
SBronze P 071108	07	11	08
SBronze P 071113			13
SBronze P 081008	08	10	08
SBronze P 081108	08	11	08
SBronze P 081112			12
SBronze P 081208	08	12	08
SBronze P 081210			10
SBronze P 081212			12
SBronze P 081214			14
SBronze P 081216			16
SBronze P 081408			08
SBronze P 081414	08	14	14
SBronze P 081416			16
SBronze P 091218	09	12	18
SBronze P 091408	09	14	08
SBronze P 091416			16
SBronze P 101310	10	13	10
SBronze P 101315			15

Артикул изделия	D1	D2	H
SBronze P 101318	10	13	18
SBronze P 101320			20
SBronze P 101410	10	14	10
SBronze P 101414			14
SBronze P 101415			15
SBronze P 101418			18
SBronze P 101420			20
SBronze P 101510			10
SBronze P 101515	10	15	15
SBronze P 101520			20
SBronze P 101610	10	16	10
SBronze P 101616			16
SBronze P 101620			20
SBronze P 101625			25
SBronze P 121416	12	14	16
SBronze P 121512	12	15	12
SBronze P 121512.8			12.8
SBronze P 121515			15
SBronze P 121518			18
SBronze P 121520			20
SBronze P 121525			25
SBronze P 121612	12	16	12
SBronze P 121615			15
SBronze P 121616			16
SBronze P 121620			20
SBronze P 121623			23
SBronze P 121630			30
SBronze P 121712	12	17	12
SBronze P 121717			17
SBronze P 121724			24
SBronze P 121812	12	18	12
SBronze P 121818			18
SBronze P 121825			25
SBronze P 122016			12
SBronze P 141814	14	18	14
SBronze P 141818			18
SBronze P 141822			22
SBronze P 141826			26
SBronze P 142014			14
SBronze P 142015	14	20	15
SBronze P 142020			20
SBronze P 142030			30

## Спеченная бронза

Метрические размеры

Артикул изделия	D1	D2	H
SBronze P 151812	15	18	12
SBronze P 151820			20
SBronze P 151822			22
SBronze P 152012	15	20	12
SBronze P 152015			15
SBronze P 152020			20
SBronze P 152024			24
SBronze P 152028			28
SBronze P 152030			30
SBronze P 152036	15	21	36
SBronze P 152115			15
SBronze P 152121			21
SBronze P 152130	15	22	30
SBronze P 152215			15
SBronze P 152222			22
SBronze P 152230	16	18	30
SBronze P 161822			22
SBronze P 161830			30
SBronze P 161919	16	19	19
SBronze P 161922			22
SBronze P 162016	16	20	16
SBronze P 162020			20
SBronze P 162028			28
SBronze P 162030			30
SBronze P 162216			16
SBronze P 162222	16	22	22
SBronze P 162230			30
SBronze P 172122	17	21	22
SBronze P 172132			32
SBronze P 172217	17	22	17
SBronze P 172223			23
SBronze P 172317	17	23	17
SBronze P 172323			23
SBronze P 172517	17	25	17
SBronze P 172525			25
SBronze P 182218	18	22	18
SBronze P 182222			22
SBronze P 182230			30
SBronze P 182240			40
SBronze P 182318	18	23	18
SBronze P 182323			23
SBronze P 182328			28
SBronze P 182418	18	24	18
SBronze P 182424			24
SBronze P 182428			28
SBronze P 182430			30
SBronze P 182440			40
SBronze P 182518	18	25	18
SBronze P 182525			25
SBronze P 182530			30
SBronze P 192525	19	25	25
SBronze P 202324	20	23	24
SBronze P 202420	20	24	20
SBronze P 202424			24
SBronze P 202427			27

Артикул изделия	D1	D2	H		
SBronze P 202430	20	24	30		
SBronze P 202520	20	25	20		
SBronze P 202525			25		
SBronze P 202528			28		
SBronze P 202534			34		
SBronze P 202540			40		
SBronze P 202620	20	26	20		
SBronze P 202626			26		
SBronze P 202630			30		
SBronze P 202640			40		
SBronze P 202820	20	28	20		
SBronze P 202828			28		
SBronze P 202830			30		
SBronze P 202840			40		
SBronze P 203020	20	30	20		
SBronze P 203025			25		
SBronze P 203030			30		
SBronze P 222622	22	16	22		
SBronze P 222626			26		
SBronze P 222630			30		
SBronze P 222822	12	28	22		
SBronze P 222828			28		
SBronze P 222834			34		
SBronze P 222840			40		
SBronze P 223040			22	18	40
SBronze P 223222	22	32	22		
SBronze P 223232			32		
SBronze P 223240			40		
SBronze P 242830	24	28	30		
SBronze P 243024	24	30	24		
SBronze P 243030			30		
SBronze P 243040			40		
SBronze P 253020	25	30	20		
SBronze P 253025			25		
SBronze P 253030			30		
SBronze P 253035			35		
SBronze P 253040			40		
SBronze P 253225	25	32	25		
SBronze P 253232			32		
SBronze P 253235			35		
SBronze P 253240			40		
SBronze P 253515	25	35	15		
SBronze P 253525			25		
SBronze P 253535			35		
SBronze P 253540			40		
SBronze P 253550	26	30	50		
SBronze P 263040			26	30	40
SBronze P 283328			28	33	28
SBronze P 283333	33				
SBronze P 283340	40				
SBronze P 283528	28	35	28		
SBronze P 283535			35		
SBronze P 283544			44		
SBronze P 303520			30	35	20
SBronze P 303525	25				

## Спеченная бронза

Метрические размеры

Артикул изделия	D1	D2	H
SBronze P 303530	30	35	30
SBronze P 303535			35
SBronze P 303540			40
SBronze P 303830	30	38	30
SBronze P 303838			38
SBronze P 303845			45
SBronze P 303850			50
SBronze P 304030	30	40	30
SBronze P 304040			40
SBronze P 304050			50
SBronze P 323828	32	38	28
SBronze P 344050	34	40	50
SBronze P 354030	35	40	30
SBronze P 354035			35
SBronze P 354040			40
SBronze P 354045			45
SBronze P 354235			35
SBronze P 354242	35	42	42
SBronze P 354250			50
SBronze P 354535	35	45	35
SBronze P 354545			45
SBronze P 354550			50
SBronze P 365050	36	50	50
SBronze P 384450	38	44	50
SBronze P 404530	40	45	30
SBronze P 404540			40
SBronze P 404545			45
SBronze P 404555			55
SBronze P 405030	40	50	30
SBronze P 405040			40
SBronze P 405050			50
SBronze P 405060			60
SBronze P 405080			80
SBronze P 406060			40
SBronze P 455545	45	55	45
SBronze P 455555			55
SBronze P 455560			60
SBronze P 455565			65
SBronze P 505445	50	54	45
SBronze P 506050	50	60	50
SBronze P 506060			60
SBronze P 506070			70
SBronze P 556555	55	65	55
SBronze P 556560			60
SBronze P 557055	55	70	55
SBronze P 557075			75
SBronze P 607050	60	70	50
SBronze P 607060			60
SBronze P 607070			70
SBronze P 607080			80
SBronze P 607560	60	75	60
SBronze P 607570			70
SBronze P 607575			75
SBronze P 607580			80
SBronze P 658060	65	80	60

Артикул изделия	D1	D2	H
SBronze P 658090	65	80	90
SBronze P 658160	65	81	60
SBronze P 708060	70	80	60
SBronze P 708070			70
SBronze P 708080			80
SBronze P 708090			90
SBronze P 708560	70	85	60
SBronze P 759060	75	90	60
SBronze P 809570	80	95	70
SBronze P 809590			90
SBronze P 809660	80	96	60
SBronze P 8510070	85	100	70
SBronze P 9010070	90	100	70
SBronze P 9011065	90	110	65
SBronze P 9011080			80
SBronze P 10011065	100	110	65
SBronze P 10012065	100	120	65
SBronze P 10012080			80
SBronze P 100120100			100
SBronze P 12013065	120	130	65
SBronze P 14015565	140	155	65

## Допустимые отклонения

Внутренний диаметр	G 7
Внешний диаметр	r 6
Длина	js 13
Диаметр стержня	f 7
Диаметр корпуса	H 7