

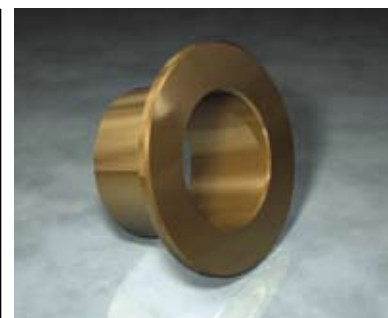
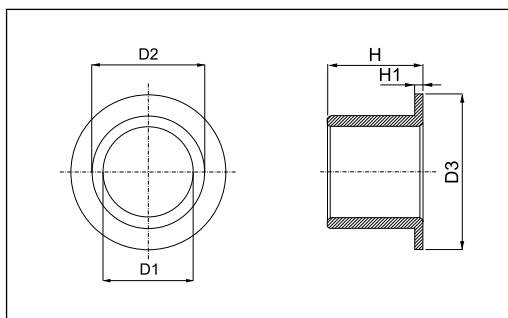
Спеченная бронза

Метрические размеры

Фланцевые втулки

Артикул изделия:

SBronze	F	03	06	08	15
	Форма	D1	D2	D3	H
Материал					



Артикул изделия	D1	D2	D3	H1	H	Артикул изделия	D1	D2	D3	H1	H
SBronze F 03060810	03	06	08	01	10	SBronze F 12162012					12
SBronze F 04080917	04	08	09	2.5	17	SBronze F 12162016	12	16	20	02	16
SBronze F 05081112	05	08	11	1.5	12	SBronze F 12162025					25
SBronze F 05101208	05	10	12	02	08	SBronze F 12182212					12
SBronze F 05101215					15	SBronze F 12182218	12	18	22	03	18
SBronze F 06101213	06	10	12	02	13	SBronze F 12182225					25
SBronze F 061014 ₁₅ 13	06	10	14	1.5	13	SBronze F 12182408	12	18	24	03	08
SBronze F 06101406					06	SBronze F 13182316	13	18	23	05	16
SBronze F 06101410	06	10	14	02	10	SBronze F 13182325					25
SBronze F 06101414					14	SBronze F 14202510					10
SBronze F 06121408					08	SBronze F 14202514	14	20	25	03	14
SBronze F 06121410	06	12	14	02	10	SBronze F 14202520					20
SBronze F 06121413					13	SBronze F 14202525					25
SBronze F 06121420					20	SBronze F 15202412					12
SBronze F 07121608					08	SBronze F 15202417	15	20	24	2.5	17.5
SBronze F 07121614	07	12	16	2.5	14	SBronze F 15202430					30
SBronze F 07121620					20	SBronze F 15222815					15
SBronze F 08121608					08	SBronze F 15222822	15	22	28	03	22
SBronze F 08121612	08	12	16	02	12	SBronze F 15222830					30
SBronze F 08121614					14	SBronze F 16222816					16
SBronze F 08141808					08	SBronze F 16222822	16	22	28	3.5	22
SBronze F 08141814	08	14	18	03	14	SBronze F 16222830					30
SBronze F 08141820					20	SBronze F 16222835					35
SBronze F 08151820	08	15	18	02	20	SBronze F 17253217					17
SBronze F 09121515	09	12	15.5	2.5	15	SBronze F 17253225	17	25	32	04	25
SBronze F 09141809					09	SBronze F 17253235					35
SBronze F 09141814	09	14	18	03	14	SBronze F 18253218					18
SBronze F 09141820					20	SBronze F 18253225	18	25	32	04	25
SBronze F 09152020	09	15	20	4.5	20	SBronze F 18253230					30
SBronze F 10141810					10	SBronze F 18253235					35
SBronze F 10141812	10	14	18	02	12	SBronze F 182532 ₀₅ 30	18	25	32	05	30
SBronze F 10141814					14	SBronze F 20252830	20	25	28	02	30
SBronze F 10141820					20	SBronze F 202632 ₀₂ 40	20	26	32	02	40
SBronze F 101418 ₀₃ 10					10	SBronze F 20263220					20
SBronze F 101418 ₀₃ 15	10	14	18	03	15	SBronze F 20263225	20	26	32	03	25
SBronze F 101418 ₀₃ 20					20	SBronze F 20263230					30
SBronze F 10151920	10	15	19	02	20	SBronze F 20283516					16
SBronze F 10162010					10	SBronze F 20283520					20
SBronze F 10162016	10	16	20	03	16	SBronze F 20283525	20	28	35	04	25
SBronze F 10162020					20	SBronze F 20283530					30
SBronze F 10162030					30	SBronze F 20283535					35
SBronze F 12151825	12	15	18	02	25	SBronze F 20283540					40

Спеченная бронза

Метрические размеры

Артикул изделия	D1	D2	D3	H1	H
SBronze F 22324022	22	32	40	05	22
SBronze F 22324030					30
SBronze F 22324040					40
SBronze F 25303620	25	30	36	03	20
SBronze F 25303645					45
SBronze F 25324025	25	32	40	05	25
SBronze F 25324032					32
SBronze F 25324040					40
SBronze F 25324053					53
SBronze F 25354516	25	35	45	05	16
SBronze F 25354525					25
SBronze F 25354535					35
SBronze F 25354545					45
SBronze F 28404850	28	40	48	08	50
SBronze F 30354030	30	35	40	03	30
SBronze F 30354035					35
SBronze F 30354040					40
SBronze F 30384630	30	38	46	04	30
SBronze F 30384640					40
SBronze F 30384645					45
SBronze F 30405030					30
SBronze F 30405042	30	40	50	05	42
SBronze F 30405055					55

Артикул изделия	D1	D2	D3	H1	H
SBronze F 32424832	32	42	48	05	32
SBronze F 32424840					40
SBronze F 35455535	35	45	55	05	35
SBronze F 35455545					45
SBronze F 35455550					50
SBronze F 40506040	40	50	60	06	40
SBronze F 40506050					50
SBronze F 40506060					60
SBronze F 45556545	45	55	65	06	45
SBronze F 45556555					55
SBronze F 45556565					65
SBronze F 50607050	50	60	70	06	50
SBronze F 50607060					60
SBronze F 50607070					70
SBronze F 55647145	55	64	71	05	45
SBronze F 60758560	60	75	85	06	60
SBronze F 60758570					70
SBronze F 70859560	70	85	95	06	60
SBronze F 70859565					65
SBronze F 70859580					80
SBronze F 809510560					60
SBronze F 809510570	80	95	105	08	70
SBronze F 809510580					80

Допустимые отклонения	
Внутренний диаметр	G 7
Внешний диаметр	г 6
Высота	±0.20
Фланец	±0.50
Длина фланца	0/-0.05
Длина	js 13
Диаметр стержня	f 7
Диаметр корпуса	H 7